

# BALANCING VALVE (HGR)



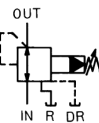
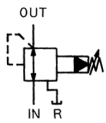
A balancing valve is a new type of compound pressure control valve that supplies the required balancing pressure to allow smooth vertical movements of a high load headstock. The valve can control circuits with its compound functions: the pressure-reducing valve function and the relief valve function. It also enables control of the required balance pressure using one handle.

## FEATURES

1. Using this type of valve, the hydraulic system can be designed compactly and installation space can be reduced.
  2. The pressure can be adjusted easily with a single handle operation.
  3. The valve is compact and light.
- Two drain types (internal drain type and external drain type) are available.
  - If subplate SHGR\*\*-\*T3 is necessary, please order one separately.

● Internal Drain Type

● External Drain Type

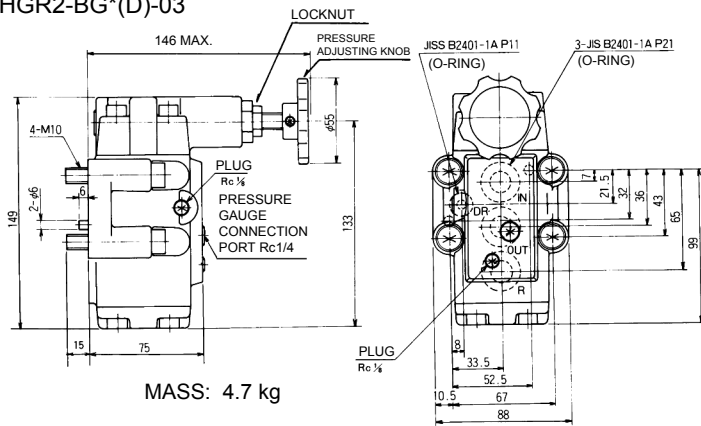


## SPECIFICATIONS

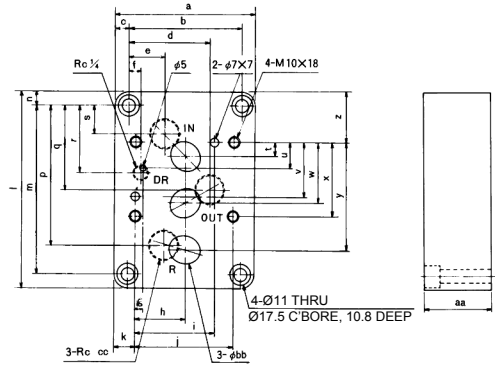
Nominal Size	Rated Flow (L/min)	Max. Flow (L/min)	Max. Operating Pressure (MPa)	Pressure Adjustment Range (MPa)	Model	
					Internal Drain Type	External Drain Type
03	40	80	14	1.2 to 7	HGR2-BG1-03	HGR2-BG1D-03
				3.5 to 14	HGR2-BG2-03	HGR2-BG2D-03
06	120	190	14	1.2 to 7	HGR2-BG1-06	HGR2-BG1D-06
				3.5 to 14	HGR2-BG2-06	HGR2-BG2D-06

## EXTERNAL DIMENSIONS

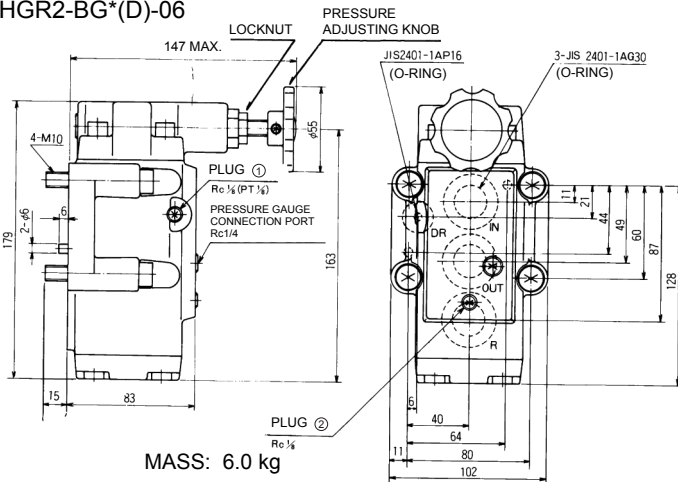
● HGR2-BG\*(D)-03



● SHGR\*\*-\*T3



● HGR2-BG\*(D)-06



Subplate Model	a	b	c	d	e	f	g	h	i	j	k	l	m	n
SHGR 03-03T3	100	78	11	56	35	10	8	33.5	52.5	67	16.5	110	88	11
SHGR 03-04T3	100	78	11	56	28	10	8	33.5	52.5	67	16.5	118	96	11
SHGR 06-06T3	114	92	11	66	29	10	6	40	64	80	17	158	136	11
SHGR 06-08T3	114	92	11	66	26	10	6	40	64	80	17	174	152	11

Subplate Model	p	q	r	s	t	u	v	w	x	y	z	aa	bb	cc
SHGR 03-03T3	76.5	51.5	40	26.5	7	21.5	32	36	43	65	26.5	40	14	3/8
SHGR 03-04T3	79	48	48	17	7	21.5	32	36	43	65	34.5	45	14	1/2
SHGR 06-06T3	113	68	54.5	23	11	21	44	49	60	87	40.5	55	22	1/4
SHGR 06-08T3	126	76	62.5	26	11	21	44	49	60	87	48.5	60	22	1