

## RELIEF VALVE (HR) DIRECT TYPE SIZE 06



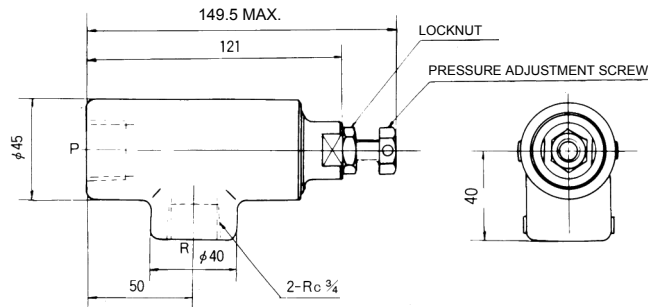
The direct acting type relief valve is used at a low setting pressure and is also suitable as a safety valve to regulate the maximum pressure.

### SPECIFICATIONS

Nominal Size	Rated Flow (L/min)	Max. Operating Pressure (MPa)	Pressure Adjustment Range (MPa)	Model
06	75	7	0.3 to 1.5	HR1-DT0-06

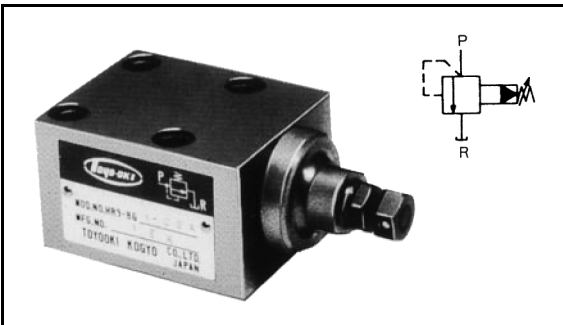
### EXTERNAL DIMENSIONS

#### ● HR1-DT0-06



MASS: 1.5 kg

## RELIEF VALVE (HR) BALANCING PISTON TYPE SIZE 02



The balancing piston type relief valve regulates the maximum pressure in the hydraulic circuit to maintain the pressure in the circuit at a constant pressure.

### FEATURES

1. The balancing piston type design offers excellent pressure - flow characteristics, minimizes variation from the set pressure, and ensures accurate operation.

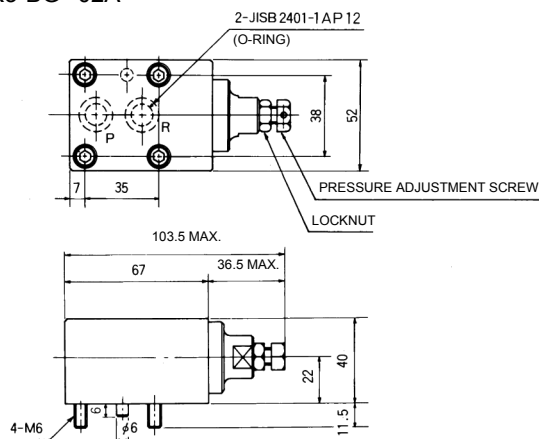
- If subplate SHR02-02T1 is necessary, please order one separately.

### SPECIFICATIONS

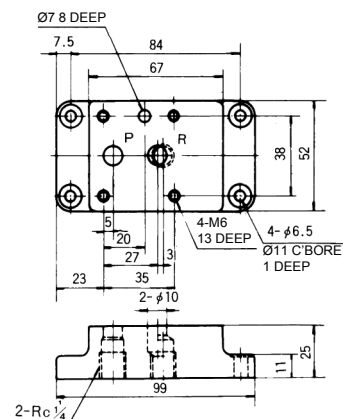
Nominal Size	Rated Flow (L/min)	Max. Flow (L/min)	Max. Operating Pressure (MPa)	Pressure Adjustment Range (MPa)	Model
02	12	20	21	0.5 to 7	HR3-BG1-02A
				3.5 to 14	HR3-BG2-02A
				10.5 to 21	HR3-BG3-02A

### EXTERNAL DIMENSIONS

#### ● HR3-BG\*-02A

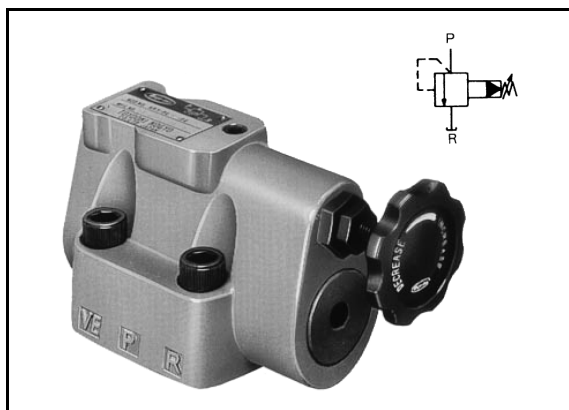


#### ● SHR02-02T1



MASS: 1 kg

# RELIEF VALVE (HR) BALANCING PISTON TYPE SIZE 04



The balancing piston type relief valve regulates the maximum pressure in the hydraulic circuit to maintain the pressure in the circuit at a constant pressure.

## FEATURES

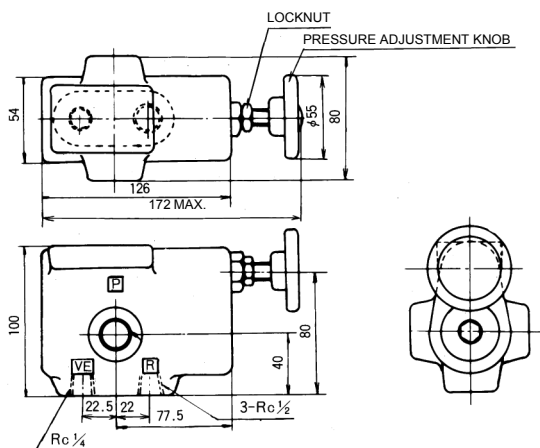
1. The balancing piston type design offers excellent pressure - flow characteristics, minimizes variation from the set pressure, and ensures accurate operation.
  2. The valve allows configuration of an unload circuit by using a vent port (VE). It also enables remote control of pressure by connecting a pilot relief valve.
- If subplate SHR04-\*\*T\* and/or a flange is necessary, please order one separately.

## SPECIFICATIONS

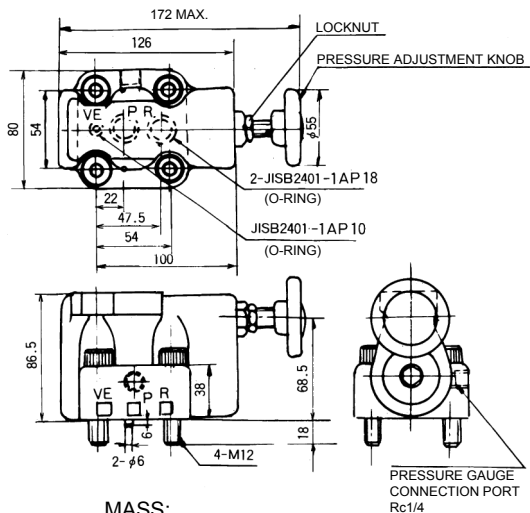
Nominal Size	Rated Flow (L/min)	Max. Flow (L/min)	Max. Operating Pressure (MPa)	Pressure Adjustment Range (MPa)	Model	
					Thread-connection Type	Gasket-connection Type
04	40	80	21	0.5 to 7	HR3-BT1-04	HR3-BG1-04
				3.5 to 14	HR3-BT2-04	HR3-BG2-04
				10.5 to 21	HR3-BT3-04	HR3-BG3-04

## EXTERNAL DIMENSIONS

### ● HR3-BT\*-04

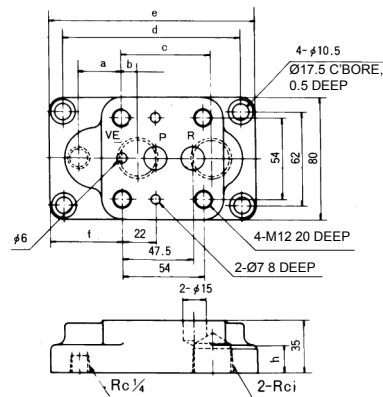


### ● HR3-BG\*-04



MASS:  
 HR3-BT\*-04: 3.5 kg  
 HR3-BG\*-04: 3.7 kg

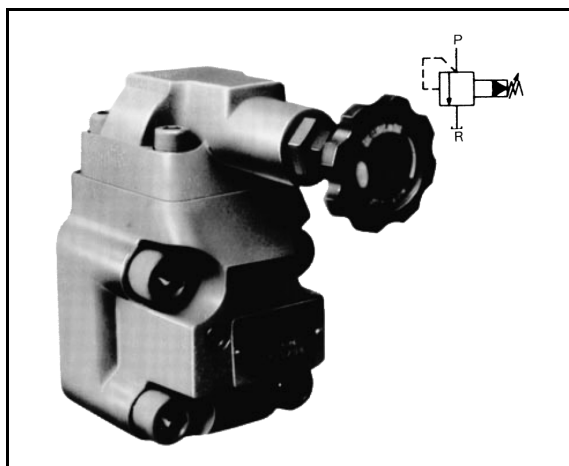
### ● SHR04-\*\*T1



NOTE: FOR MODEL SHR04-\*\*T3, REFER TO PAGE 304.

Model	a	b	c	d	e	f	h	i
SHR04-04T1	13	17	54	103	121	33.5	23	1/2
SHR04-06T1	28	10	59.5	116	144	51.5	18	3/4

# RELIEF VALVE (HR) BALANCING PISTON TYPE SIZE 06



The balancing piston type relief valve regulates the maximum pressure in the hydraulic circuit to maintain the pressure in the circuit at a constant pressure.

## FEATURES

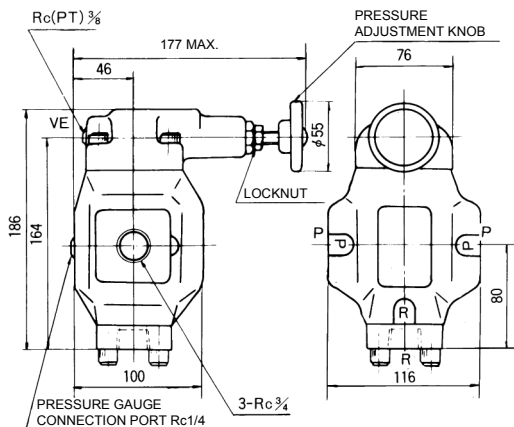
1. The balancing piston type design offers excellent pressure - flow characteristics, minimizes variation from the set pressure, and ensures accurate operation.
  2. The valve allows configuration of an unload circuit by using a vent port (VE). It also enables remote control of pressure by connecting a pilot relief valve.
- If subplate SHR06-\*\*T\*(A) and/or a flange is necessary, please order one separately.

## SPECIFICATIONS

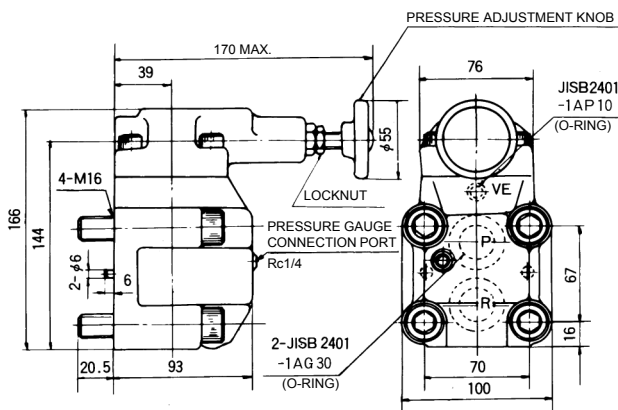
Nominal Size	Rated Flow (L/min)	Max. Flow (L/min)	Max. Operating Pressure (MPa)	Pressure Adjustment Range (MPa)	Model	
					Thread-connection Type	Gasket-connection Type
06	120	190	21	0.5 to 7	HR3-BT1-06	HR3-BG1-06
				3.5 to 14	HR3-BT2-06	HR3-BG2-06
				10.5 to 21	HR3-BT3-06	HR3-BG3-06

## EXTERNAL DIMENSIONS

### ● HR3-BT\*-06

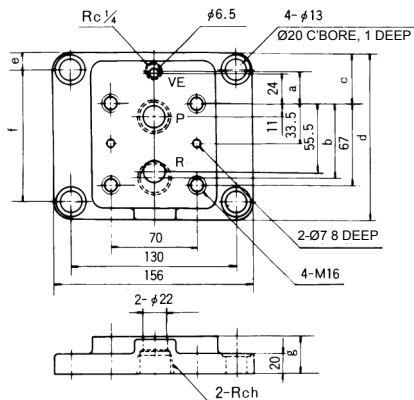


### ● HR3-BG\*-06



MASS:  
 HR3-BT\*-06: 8.0 kg  
 HR3-BG\*-06: 7.3 kg

### ● SHR06-\*\*T1A



NOTE: FOR MODEL SHR06-\*\*T3, REFER TO PAGE 304.

Model	a	b	c	d	e	f	g	h
SHR06-06T1A	25	60.5	37	124	12	100	30	3/4
SHR06-08T1A	27	67	45	141	15.5	110	45	1