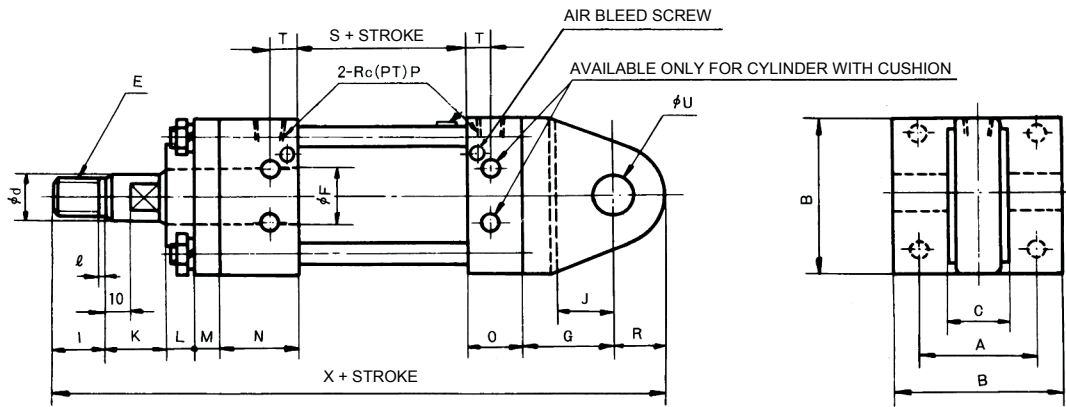


EXTERNAL DIMENSIONS

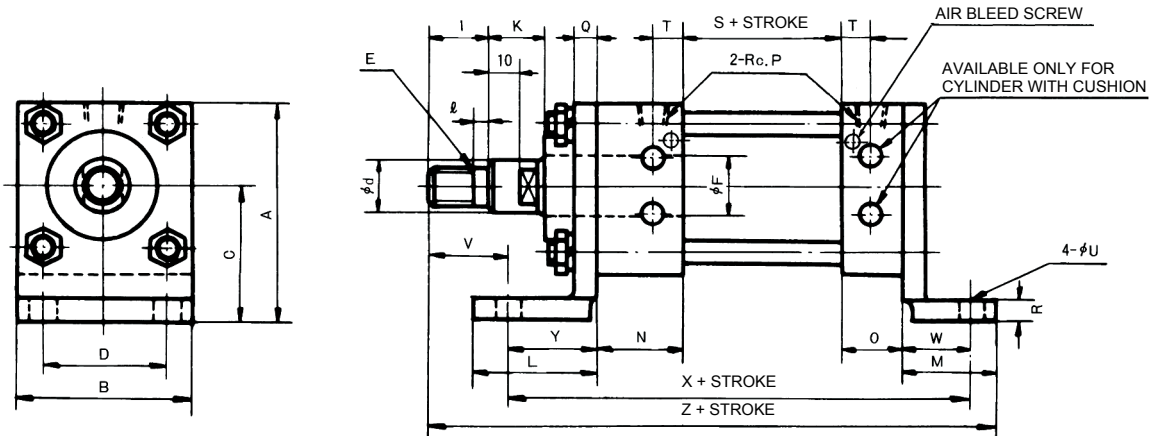
● 2-Peak Clevis Type



NOTE: BRACKET PINS ARE PROVIDED AS STANDARD.

Model	Cylinder Bore	A	B	C	E		d		Rod Dia. F	G	I	J	K	L	M	N	O	P	R	S	T	U		ℓ	X
					Diameter	Pitch	Dimension	Tolerance														Dimension	Tolerance		
HC-A*X3-125x*	125	122	165	63	48	1.5	60	0 -0.030	63	98	70	63	40	15	24	64	49	1	50	122	24	50	+0.1 0	6	532
HC-A*X3-140x*	140	138	185	80	55	2	68	0 -0.030	71	120	80	80	45	15	26	64	49	1	63	122	24	63	+0.12 0	6	584
HC-A*X3-160x*	160	160	210	80	60	2	78	0 -0.030	80	125	90	90	50	15	31	64	49	1	75	142	24	71	+0.12 0	6	641

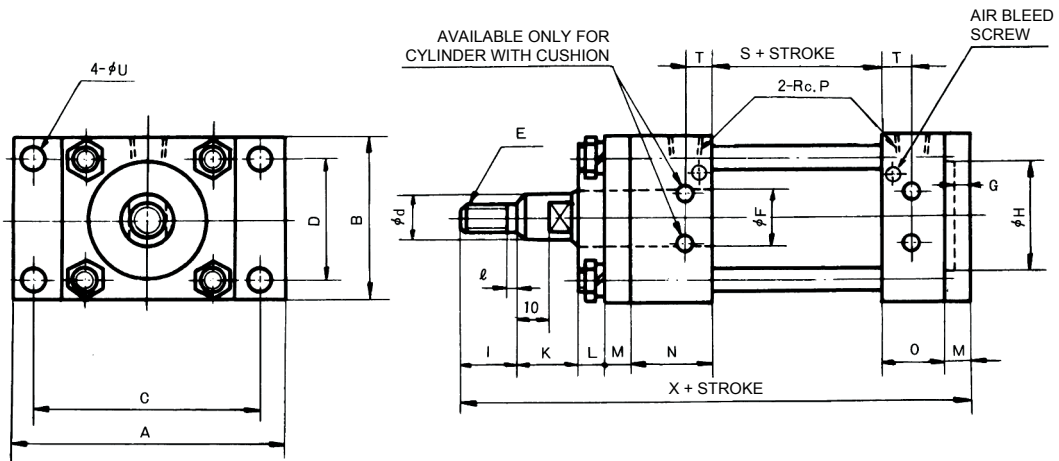
● Foot Mount Type



Model	Cylinder Bore	A	B	C	D	E		d		Rod Dia. F	I	K	L	M	N	O	P	Q	R	S	T	U	V	W	X	Y	ℓ	Z
						Diameter	Pitch	Dimension	Tolerance																			
HC-B*X3-125x*	125	187.5	165	105	122	48	1.5	60	0 -0.030	63	70	40	119	95	64	49	1	24	15	122	24	24	59	66	391	90	6	479
HC-B*X3-140x*	140	207.5	185	115	138	55	2	68	0 -0.030	71	80	45	126	100	64	49	1	26	18	122	24	26	70	70	401	96	6	501
HC-B*X3-160x*	160	237	210	132	160	60	2	78	0 -0.030	80	90	50	141	110	64	49	1	31	18	142	24	31	80	75	436	106	6	551

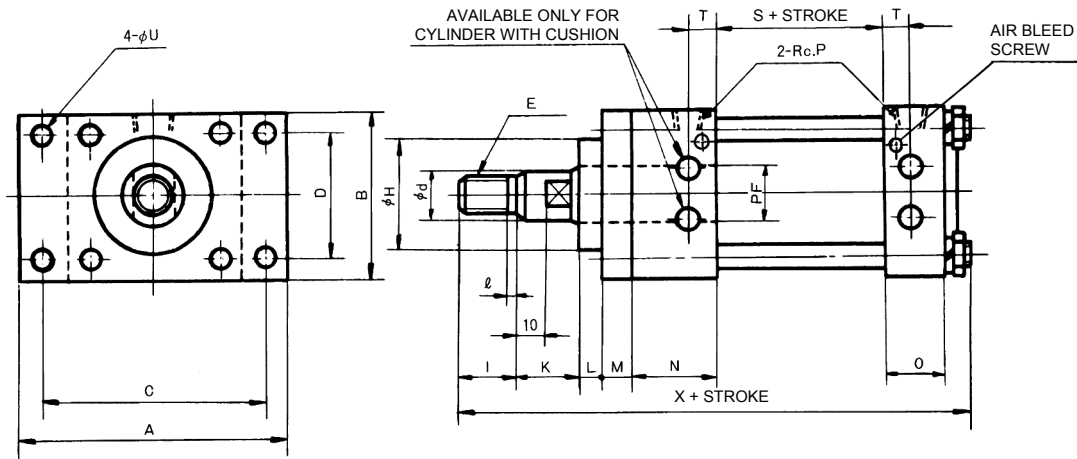
EXTERNAL DIMENSIONS

● Head Side Flange Mount Type



Model	Cylinder Bore	A	B	C	D	E		d		Rod Dia. F	G	H (H8)		I	K	L	M	N	O	P	S	T	U	ℓ	X
						Diameter	Pitch	Dimension	Tolerance			Dimension	Tolerance												
HC-C*X3-125x*	125	272	175	224	132	48	1.5	60	0 -0.030	63	14	100	+0.054 0	70	40	15	24	64	49	1	122	24	24	6	408
HC-C*X3-140x*	140	300	195	250	145	55	2	68	0 -0.030	71	16	110	+0.054 0	80	45	15	26	64	49	1	122	24	26	6	427
HC-C*X3-160x*	160	335	218	280	165	60	2	78	0 -0.030	80	21	120	+0.054 0	90	50	15	31	64	49	1	142	24	31	6	472

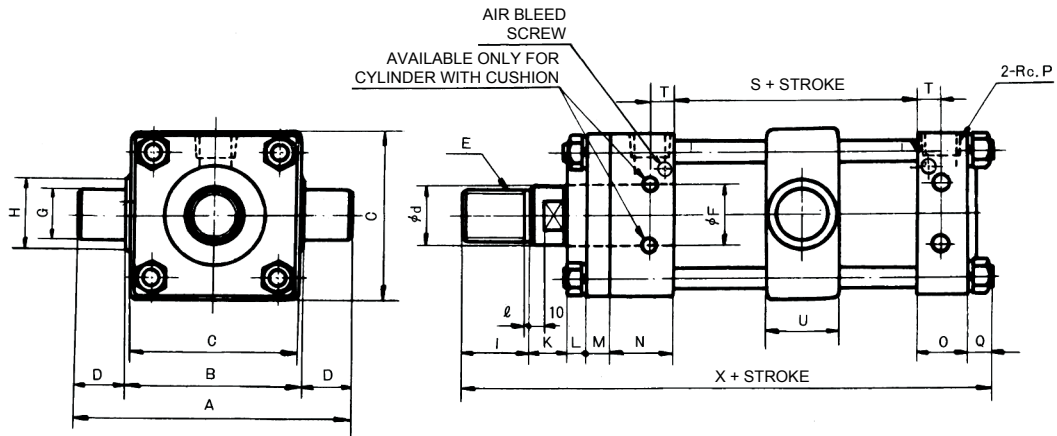
● Rod Side Flange Mount Type



Model	Cylinder Bore	A	B	C	D	E		d		Rod Dia. F	H (H8)		I	K	L	M	N	O	P	S	T	U	ℓ	X
						Diameter	Pitch	Dimension	Tolerance		Dimension	Tolerance												
HC-D*X3-125x*	125	272	175	224	132	48	1.5	60	0 -0.030	63	100	+0.054 0	70	40	15	24	64	49	1	122	24	24	6	410
HC-D*X3-140x*	140	300	195	250	145	55	2	68	0 -0.030	71	110	+0.054 0	80	45	15	26	64	49	1	122	24	26	6	428
HC-D*X3-160x*	160	335	218	280	165	60	2	78	0 -0.030	80	120	+0.054 0	90	50	15	31	64	49	1	142	24	31	6	471

EXTERNAL DIMENSIONS

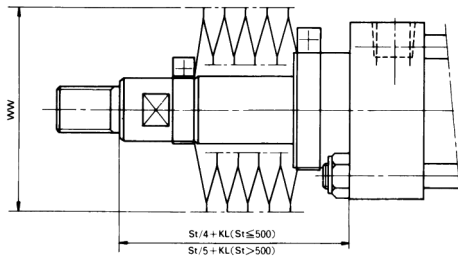
● Center Trunnion Type



NOTE: THE CENTRAL POSITION OF THE TRUNNION IS $\frac{s + \text{stroke}}{2}$.

Model	Cylinder Bore	A	B	C	D	E		d		Rod Dia. F	G (d9)		H	I	K	L	M	N	O	P	Q	S	T	U	ℓ	X
						Diameter	Pitch	Dimension	Tolerance		Dimension	Tolerance														
HC-E*X3-125x*	125	274	170	170	50	48	1.5	60	0 -0.030	63	50	-0.080 -0.142	60	70	40	15	24	64	49	1	27	122	24	64	6	411
HC-E*X3-140x*	140	322	196	192	63	55	2	68	0 -0.030	71	63	-0.100 -0.174	73	80	45	15	26	64	49	1	27	122	24	76	6	428
HC-E*X3-160x*	160	358	216	212	71	60	2	78	0 -0.030	80	71	-0.100 -0.174	81	90	50	15	31	64	49	1	30	142	24	85	6	471

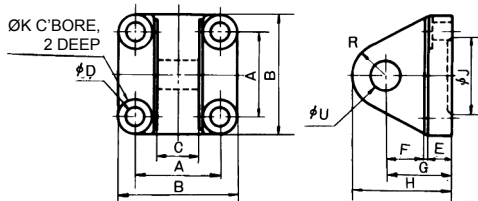
● Dustproof Cover Mounting Dimensions



Cylinder Bore	WW	KL
125	120	105
140	130	115
160	140	125

NOTE: IF A CALCULATED VALUE INCLUDES A DECIMAL FRACTION, ROUND UP THE RESULT TO AN INTEGER.

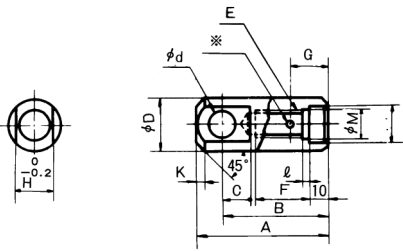
● Knuckle Bracket



Model	A	B	C	D	E	F	G	H	J	K	R	U		Applicable Cylinder Type
												Dimension	Tolerance	
HC-A1-125	122	165	63	24	35	55	100	155	100	46	55	50	+0.100 0	φ125 clevis type
HG-A1-140	138	185	80	26	40	70	115	185	110	50	70	63	+0.120 0	φ140 clevis type
HC-A1-160	160	210	80	30	40	80	125	205	120	55	80	71	+0.120 0	φ160 clevis type

EXTERNAL DIMENSIONS

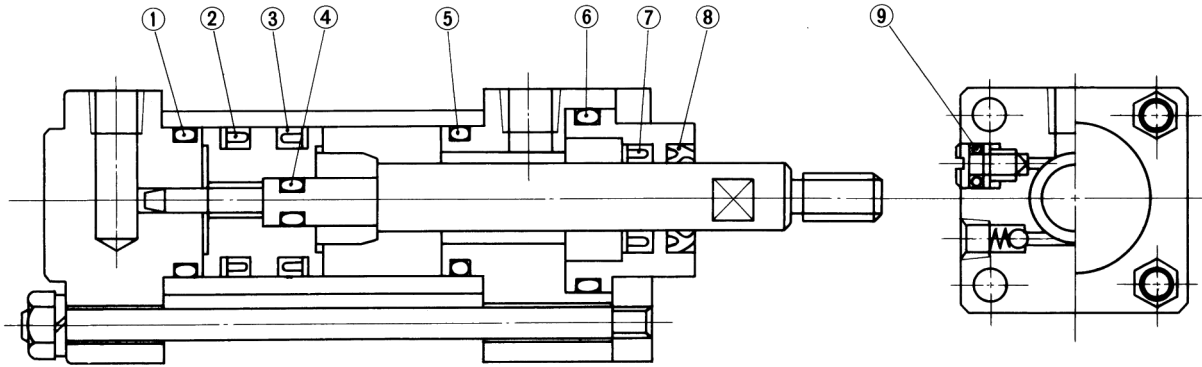
● Knuckle



NOTE: *: MACHINED TOGETHER WITH M6 TAPPING.

Model	A	B	C	D	d (H8)		E		E	F	G	H	L (H7)		M	ℓ	Applicable Cylinder Type
					Dimension	Tolerance	Diameter	Pitch					Dimension	Tolerance			
HC-B1-125	170	135	45	70	40	+0.03 90	48	1.5	75	50	52	15	60	+0.03 00	48.5	7	φ125 all type
HG-B1-140	200	155	55	80	45	+0.03 90	55	2	85	50	55	15	68	+0.03 00	55.5	7	φ140 all type
HC-B1-160	215	170	60	90	50	+0.03 90	60	2	95	50	58	18	78	+0.03 00	60.5	7	φ160 all type

PACKING AND O-RING LIST



No.	Location Where Used	Cylinder Bore		
		125	140	160
⑦	Rod seal	SKY-63	SKY-71	SKY-80
		1		
② ③	Piston seal	SKY-112	SKY-125	SKY-145
		2		
⑧	Scraper	SDR-63	SDR-71	SDR-80
		2		
① ⑤	O-ring at cylinder tube	JIS B2401-G120	JIS B2401-G135	JIS B2401-G150
		2		
④	O-ring at piston	JIS B2401-G40	JIS B2401-G45	JIS B2401-G55
		1		
⑥	O-ring at gland	JIS B2401-G105	JIS B2401-G115	JIS B2401-G125
		1		
⑨	O-ring at cushion valve	JIS B2401-P10A	JIS B2401-P10A	JIS B2401-P10A
		-*		

NOTE: *: 2 pcs. for a cylinder with a cushion at both sides, 1 pc. for a cylinder with a cushion at one side, and not used for cylinders without cushions.