

PILOT-OPERATED CHECK VALVE (HK3H) SIZE 025 / 03 / 06



If back pressure is applied to the IN port of a check valve (Example: the A1 port side for an A-port check valve), the pilot pressure increases by the same pressure. Therefore, back pressure should not be applied to the IN port if at all possible.

SPECIFICATIONS

● Pilot-operated Type

| Controlled Port | Model | Max. Operating Pressure (MPa) | Rated Flow (L/min) | Max. Flow (L/min) | Cracking Pressure (MPa) | Symbol |
|-----------------|----------------|-------------------------------|--------------------|-------------------|---|--------|
| A | HK3H-A-Y*-025B | 25 | 20 | 40 | * symbol 1: 0.04 2: 0.35 3: 0.46 ^{*1} 4: 0.53 ^{*1} *1: Available only with size 025B | |
| | HK3H-A-Y*-03 | 21 | 40 | 80 | | |
| | HK3H-A-Y*-06 | | 120 | 190 | | |
| B | HK3H-B-Y*-025B | 25 | 20 | 40 | | |
| | HK3H-B-Y*-03 | 21 | 40 | 80 | | |
| | HK3H-B-Y*-06 | | 120 | 190 | | |
| A / B | HK3H-W-Y*-025B | 25 | 20 | 40 | | |
| | HK3H-W-Y*-03 | 21 | 40 | 80 | | |
| | HK3H-W-Y*-06 | | 120 | 190 | | |

SPECIFICATIONS

● Decompression Type

| Controlled Port | Model | Max. Operating Pressure (MPa) | Rated Flow (L/min) | Max. Flow (L/min) | Cracking Pressure (MPa) | Symbol |
|-----------------|----------------|-------------------------------|--------------------|-------------------|---|--------|
| A | HK3H-A-W*-025B | 25 | 20 | 40 | * symbol 1: 0.04 2: 0.35 3: 0.46 4: 0.53 See NOTE. | |
| | HK3H-A-W*-03 | 21 | 40 | 80 | | |
| | HK3H-A-W*-06 | | 120 | 190 | | |
| B | HK3H-B-W*-025B | 25 | 20 | 40 | | |
| | HK3H-B-W*-03 | 21 | 40 | 80 | | |
| | HK3H-B-W*-06 | | 120 | 190 | | |
| A / B | HK3H-W-W*-025B | 25 | 20 | 40 | | |
| | HK3H-W-W*-03 | 21 | 40 | 80 | | |
| | HK3H-W-W*-06 | | 120 | 190 | | |

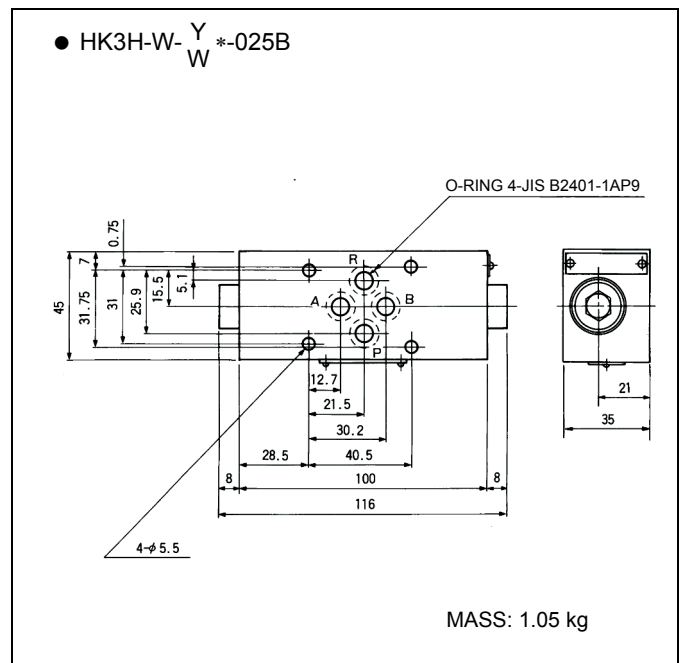
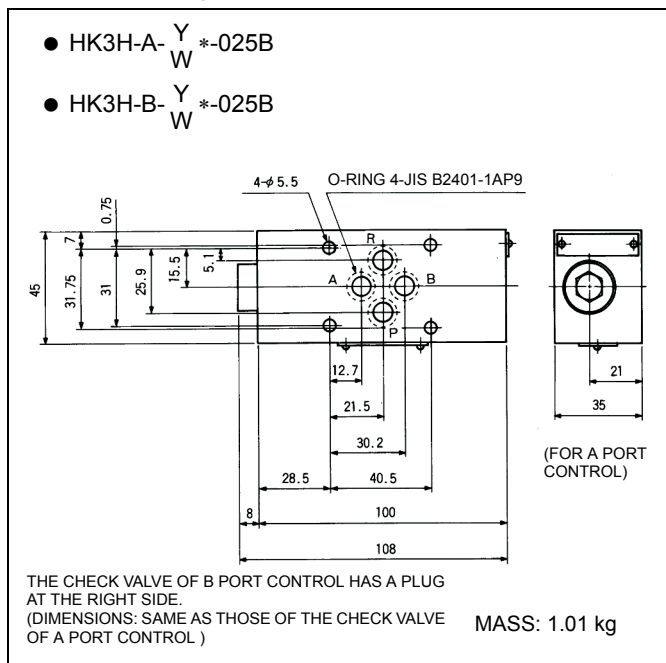
NOTE 1: Cracking pressure of size 025 is: 2: 0.35 MPa, 3: 0.46 MPa, 4: 0.53 MPa

NOTE 2: Cracking pressure of size 03 is: 2: 0.35 MPa

NOTE 3: Cracking pressure of size 06 is: 1: 0.04 MPa, 2: 0.35 MPa

EXTERNAL DIMENSIONS

● Pilot-operated Type



EXTERNAL DIMENSIONS

