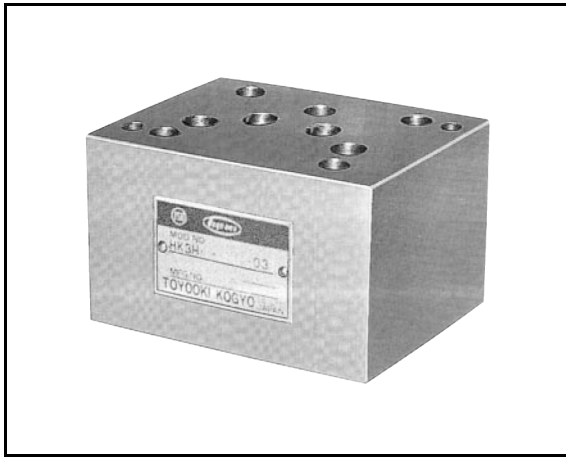


CHECK VALVE (HK3H) SIZE 025 / 03 / 06

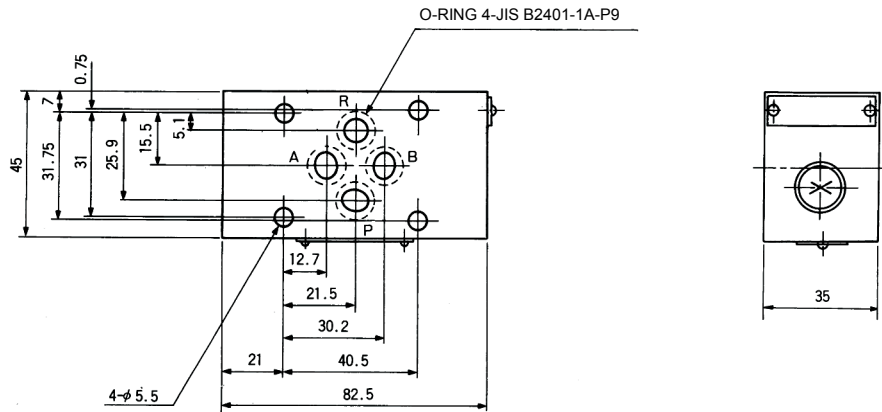


SPECIFICATIONS

Controlled Port	Model	Max. Operating Pressure (MPa)	Rated Flow (L/min)	Max. Flow (L/min)	Cracking Pressure (MPa)	Symbol		
P	HK3H-P-Q*-025B	25	20	40	* symbol 1: 0.04 2: 0.35 3: 0.46 4: 0.53 ^{*1}			
	HK3H-P-Q*-03	21	40	80				
	HK3H-P-Q*-06		120	190				
R	HK3H-R-Q*-025B	25	20	40		*1: Available only with size 025B		
	HK3H-R-Q*-03	21	40	80				
	HK3H-R-Q*-06		120	190				
A	HK3H-A-Q*-025B	25	20	40			* symbol 1: 0.04 2: 0.35 3: 0.46 ^{*1} 4: 0.53 ^{*1}	
	HK3H-A-Q*-03	21	40	80				
	HK3H-A-Q*-06		120	190				
B	HK3H-B-Q*-025B	25	20	40		*1: Available only with size 025B		
	HK3H-B-Q*-03	21	40	80				
	HK3H-B-Q*-06		120	190				
A / B	HK3H-W-Q*-025B	25	20	40	* symbol 1: 0.04 2: 0.35 3: 0.46 ^{*1} 4: 0.53 ^{*1}			
	HK3H-W-Q*-03	21	40	80				
	HK3H-W-Q*-06		120	190				

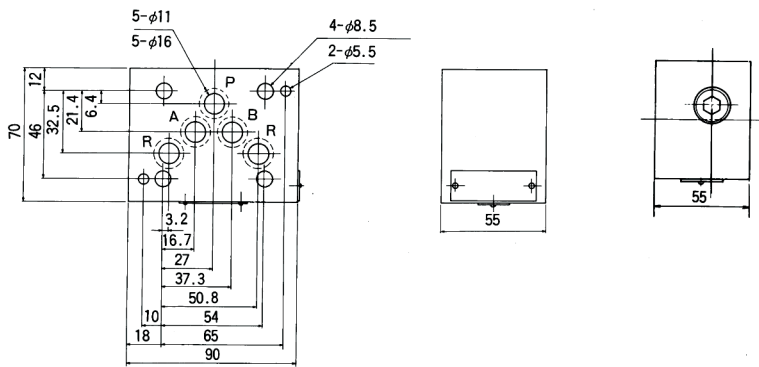
EXTERNAL DIMENSIONS

● HK3H-^P/_R-Q*-025B

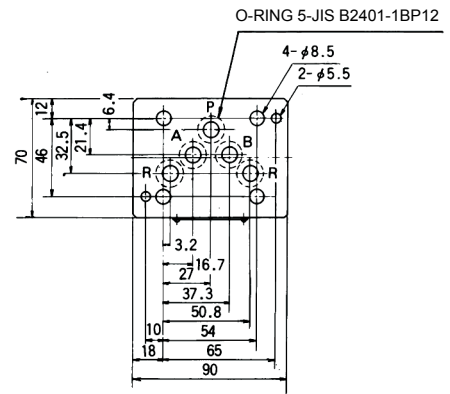


MASS: 0.9 kg

● HK3H-P-Q*-03

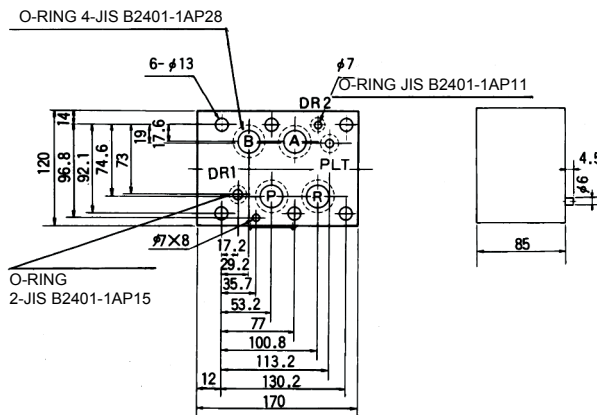


● HK3H-P-Q*-03



MASS: 2 kg

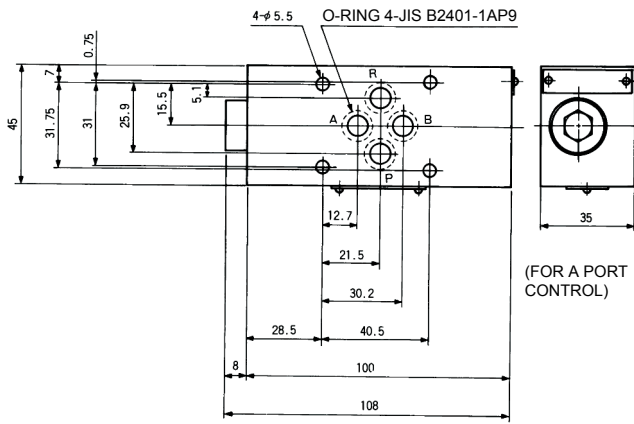
● HK3H-^P/_R-Q*-06



MASS: 10.3 kg

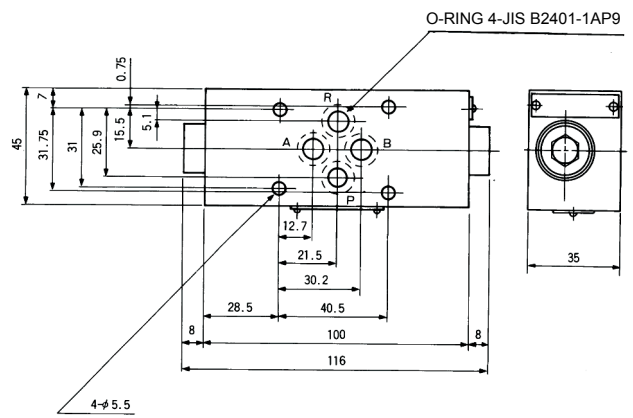
EXTERNAL DIMENSIONS

- HK3H-A-Q*-025B
- HK3H-B-Q*-025B



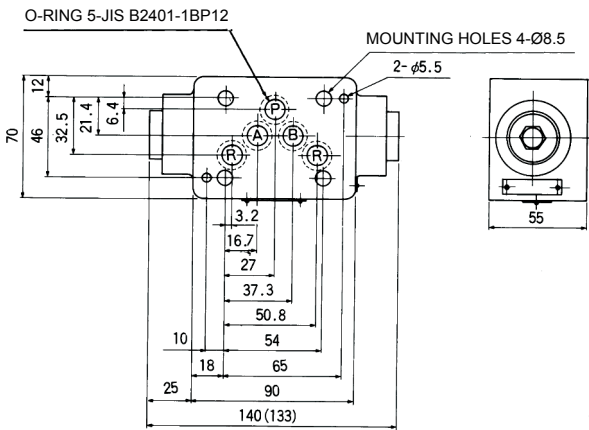
THE CHECK VALVE OF B PORT CONTROL HAS A PLUG AT THE RIGHT SIDE.
(DIMENSIONS: SAME AS THOSE OF THE CHECK VALVE OF A PORT CONTROL)
MASS: 0.9 kg

- HK3H-W-Q*-025B



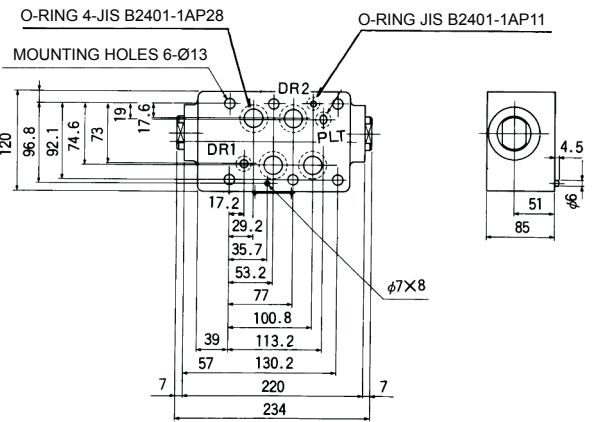
MASS: 0.9 kg

- HK3H-A-Q*-03
- HK3H-B-Q*-03
- HK3H-W-Q*-03



THE DIMENSION IN PARENTHESES IS THE CHECK VALVE OF A PORT / B PORT CONTROL.
MASS: 2.1 kg

- HK3H-A-Q*-06
- HK3H-B-Q*-06
- HK3H-W-Q*-06



MASS: 12 kg